



Kidney-shaped O-ring

DuraWear™

Cool pack water-cooled packing case

Dresser-Rand now offers a complete line of DuraWear performance parts for reciprocating compressors, including:

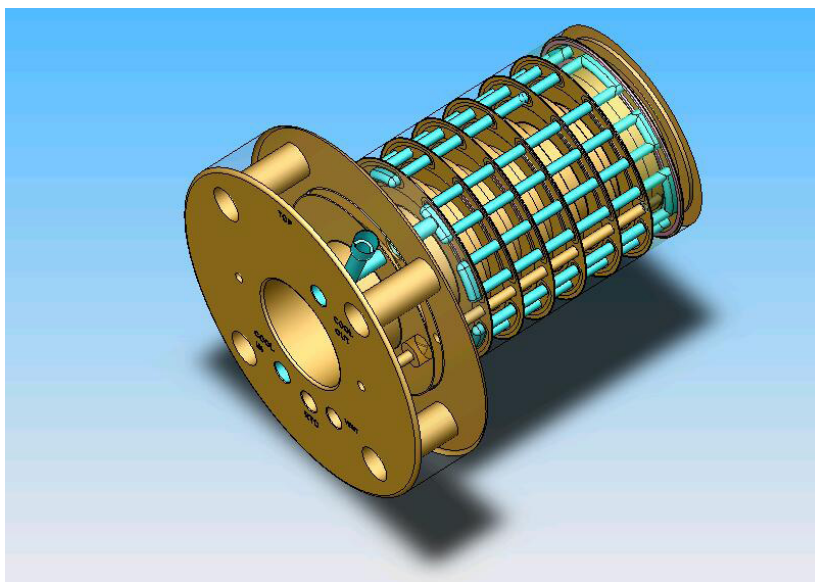
- Piston rings
- Rider bands
- Rod packing seal rings
- Oil wiper rings
- Pressure, partition, and oil wiper packing cases

The innovative DuraWear cool pack water-cooled packing case designed for reciprocating compressors provides significantly increased packing seal ring life by providing one of the best packing case cooling rates in the industry, to ensure reduced temperature of the seal rings.

The high cooling rate of the DuraWear cool pack case is achieved by a greater amount of coolant flow than any other design available. Longitudinal coolant passages located around the periphery of the packing cups enable twice the amount of coolant flow for a given size restraint envelope. These passages are alternately connected so that the coolant encompasses the cups before rejoining and passing from the case. This design creates optimum heat transfer from the case to the coolant, with flow impinging at 90-degree angles.

The unique passages require a special kidney-shaped O-ring seal design. Between each cooled cup there are four kidney-shaped O-rings. These rings fit into specially machined grooves that have a tapered locking feature to hold them in place. Cooling occurs much more uniformly, resulting in consistent seal ring performance.

By cooling all the cups (rather than just the lands between the cups), a shorter packing case length is achieved. This allows for the rod to exit the packing seal area for added cooling. Using narrower cup widths creates the best seal design in a shorter area. This reduces frictional heating and allows more of the rod to travel out of the packing area for cooling.



Cool pack case showing coolant passageways

For more information on [Durawear performance parts](#), contact one of the following Dresser-Rand locations:

Dresser-Rand

100 Chemung St
Painted Post, NY 14870 USA
Tel: (Int'l +1) 607-973-2001
Fax: (Int'l +1) 607-973-2905

Dresser-Rand S.A.

31, Boulevard Winston Churchill
Cedex 7013
Le Havre 76080 France
Tel: (Int'l +33) 235-255225
Fax: (Int'l +33) 235-255366

For a complete list of D-R products and services, visit us on the Internet at www.dresser-rand.com or contact us at the following locations:

Dresser-Rand Corporate Headquarters

West8 Tower Suite 1000
10205 Westheimer Road
Houston, TX 77042 USA
Tel: (Int'l +1) 713-354-6100
Fax: (Int'l +1) 713-354-6110
email: info@dresser-rand.com

112, Avenue Kleber
75784 – Paris Cedex 16
Tel: (Int'l +33) 156 26 71 71
Fax: (Int'l +33) 156 26 71 72
email: info@dresser-rand.com

Regional Headquarters

The Americas

Dresser-Rand
West8 Tower Suite 1000
10205 Westheimer Road
Houston, TX 77042 USA
Tel: (Int'l +1) 713-354-6100
Fax: (Int'l +1) 713-354-6110

EMEA

(Europe, Middle East, Eurasia, Africa)
Dresser-Rand S.A.
31 Boulevard Winston Churchill
Cedex 7013
Le Havre 76080 France
Tel: (Int'l +33) 2-35-25-5225
Fax: (Int'l +33) 2-35-25-5366 / 5367

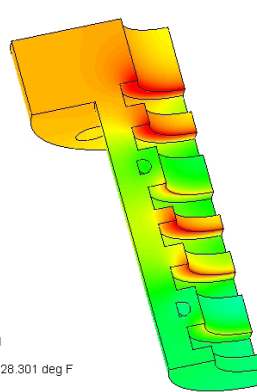
Asia-Pacific

Dresser-Rand Asia Pacific Sdn Bhd
Unit 9-4, 9th Floor
Bangunan Malaysian Re
17 Lorong Dungun
Damansara Heights
50490 Kuala Lumpur, Malaysia
Tel: (Int'l +60) 3-2093-6633
Fax: (Int'l +60) 3-2093-2622

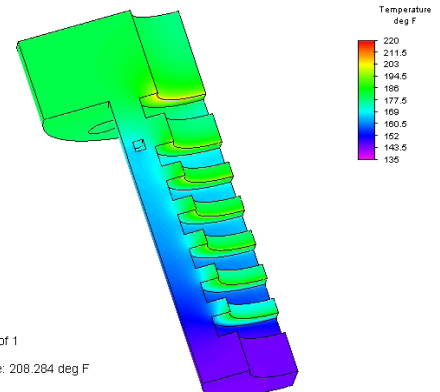
Because it cools all the cups in the case, the DuraWear cool pack has a heat rejection rate 75 percent higher than a conventional case. Cooling passages are positioned at the center of the cups, without lengthening the case or reducing the number of cups for a given length.

DuraWear performance parts are available for virtually any gas, with temperatures ranging from cryogenic to more than 300 degrees Fahrenheit and pressures ranging from vacuum to more than 8000 psi. Whether your needs are associated with a replacement part, an upgrade, or a new compressor, our OEM design and application experience—backed by our world-class manufacturing and service capabilities—enables Dresser-Rand to satisfy your full range of requirements. The ultimate result is better performance, less downtime, and lower maintenance costs—giving you a healthier bottom line.

| FEATURES | BENEFITS |
|-------------------------------|--|
| Kidney-shaped O-ring design | Easy installation minimizes number of O-rings |
| Split path | Uniform heat distribution |
| All cups cooled | More heat removed |
| Advanced water passage design | Easy to clean |
| Shorter case | More rod exits the case for better heat transfer from rod to gas |



Conventional case



Cool pack case

©2009 Dresser-Rand. This document comprises a general overview of the products described herein. It is solely for informational purposes, does not represent a warranty or guarantee of the information contained herein and is not to be construed as an offer to sell or a solicitation to buy. Contact Dresser-Rand for detailed design and engineering information suitable to your specific applications. Dresser-Rand reserves the right to modify its products and related product information at any time without prior notice.