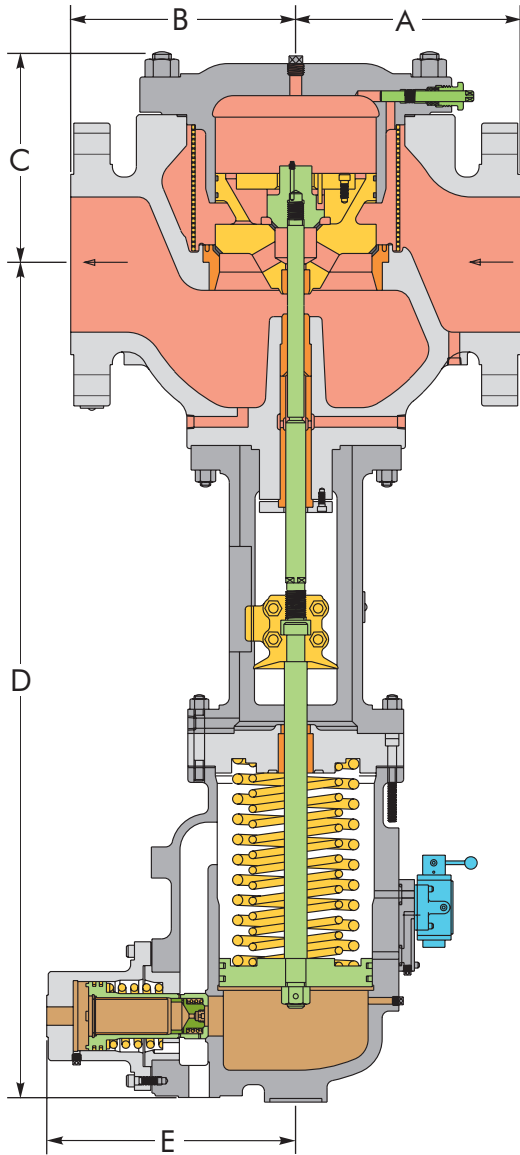


# Gimpel™ Valves Assembly Dimensions

## Oil Operated Trip Valve OOTV (Inverted, Globe Body) 3" to 24" CL150 to 900



CYLINDER DIAMETER	DIMENSION E	CYLINDER DIAMETER	DIMENSION E
6.00	10.25	14.00	15.75
7.00	14.70	15.00	22.00
8.00	14.70	17.00	18.62
10.00	13.60	18.50	24.30
11.00	17.80	20.00	24.50
13.00	22.00	22.00	25.50

SIZE NPS	PRESSURE CLASS	EST. WT.	DIMENSIONS			
			A	B	C	D
3	150*		7.25	7.25	7.62	
	300*		7.50	7.50		
	600*		7.75	7.75		
	900*		8.00	8.00	8.19	
4	150*		8.50	8.50	7.75	
	300*		8.50	8.50		
	600*		8.75	8.75		
	900*		9.00	9.00	8.12	
5	150*		10.62	10.62	9.44	
	300*		10.62	10.62		
	600*		11.25	11.25		
	900*		12.25	12.25	10.06	
6	150	1000-1800	11.25	11.25	10.44	48.00
	300		11.25	11.25		
	600		12.00	12.00		
	900		13.00	13.00	11.06	
	1500		2400-2800	15.88	15.88	
8	150	1400-1900	12.62	12.62	13.31	52.00
	300		13.12	13.12		
	600		14.00	14.00		
	900		15.12	15.12	13.81	
10	150	1700-3600	14.50	14.50	13.75	56.25
	300		15.12	15.12		
	600		16.00	16.00	14.81	
	900		17.00	17.00	15.31	
12	150	2500-5000	16.00	16.00	16.25	60.00
	300		16.62	16.62		
	600		17.50	17.50	17.25	
	900		18.25	18.25	19.56	
14	150	3500-5500	17.88	17.88	19.69	60.00
	300		18.62	18.62		
	600		19.50	19.50	21.00	
	900		20.12	20.12	26.00	
16	150	6000-9500	19.00	19.00	19.00	63.25
	300		19.00	19.00		
	600*		22.00	22.00	24.75	
	900*		23.00	23.00		
18	150*					
	300*					
	600*					
	900*					
20	150*		24.38	24.38	28.12	
	300*		25.00	25.00		
	600*		26.50	26.50		
	900*		28.00	28.00		
24	150	9000-12000	27.12	27.12	30.50	73.00
	300		28.00	28.00	30.50	
	600*					
	900*					

**NOTE:**

\*Refer to Dresser-Rand

- This drawing is for information purposes only. Do not use for construction.
- Information contained herein is subject to change without notice.
- All dimensions are in INCHES. All weights are in POUNDS.
- Dimension "D" will vary with cylinder size used. Maximums given. Gimpel must advise cylinder size needed for operation at steam conditions to be specified by customer.
- Weight ranges given are intended as a guide. Actual weights can be advised by Dresser-Rand.

### Gimpel™ Valves Assembly Dimensions Oil Operated Trip Valve OOTV (Inverted, Globe Body)

**DRESSER-RAND**

DRAWING  
NUMBER

**L-4932**