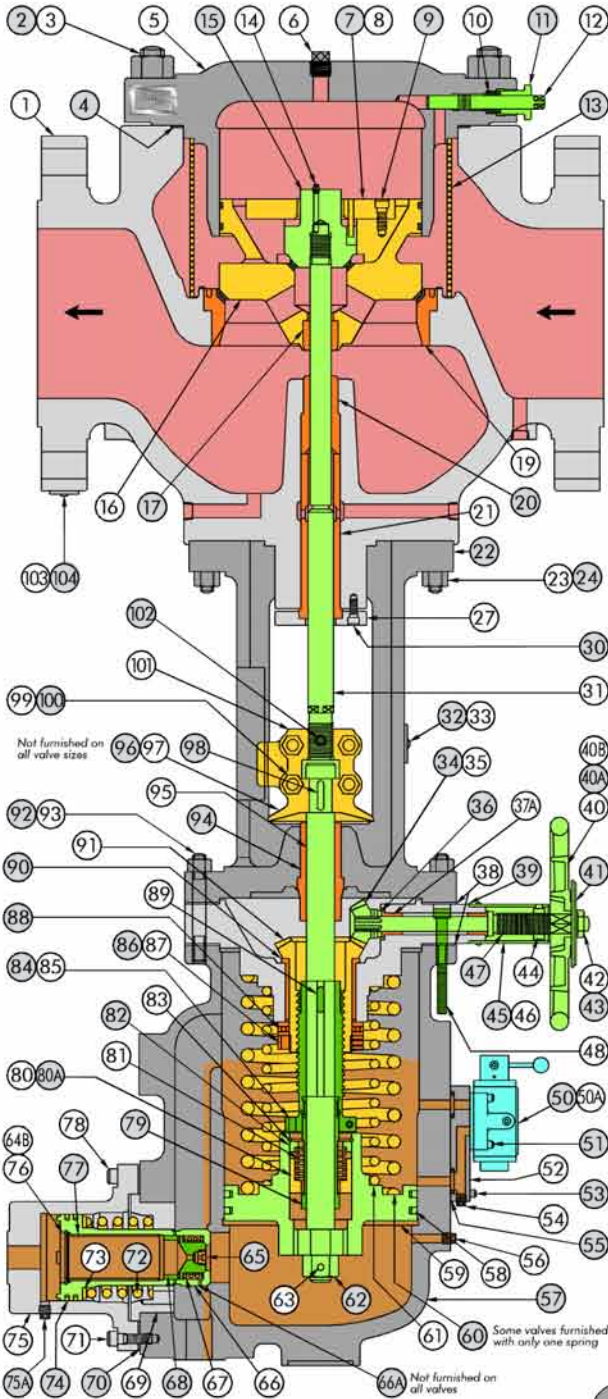


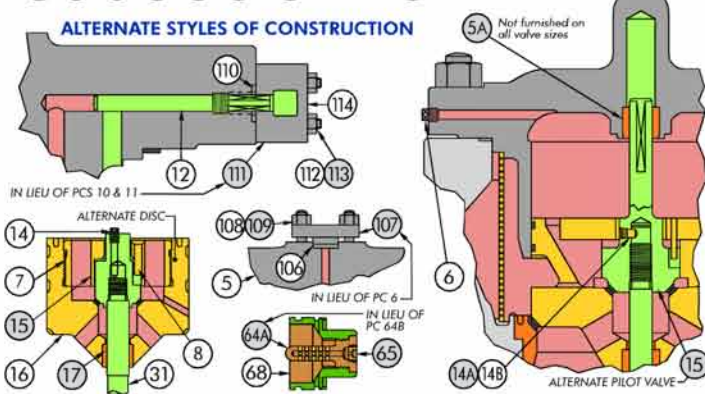
# Gimpel™ Valves Parts List

## Oil Operated Trip Throttle Valve

NPS 3 to NPS 24/150 to 2500 Class



### ALTERNATE STYLES OF CONSTRUCTION



PC NO	DESCRIPTION	PC NO	DESCRIPTION
1	BODY, VALVE	59	PISTON
2	STUD	60	SPRING, OUTER
3	NUT, HEX	61	SPRING, INNER
4	GASKET	62	NUT, HEX
5	COVER, VALVE	63	PIN, SPRING
5A	BUSHING GUIDE	64A	STRAINER
6	PLUG, PIPE	64B	STRAINER
7	FLANGE, DISC	65	ORIFICE
8	PIN	66	PISTON, RELAY (LARGE)
9	CAPSCREW, SOC. HD	66A	ORIFICE
10	PACKING	67	SPRING
11	GLAND	68	PISTON, RELAY (SMALL)
12	THROTTLE SCREW	69	SEAT, SPRING
13	STRAINER BASKET	70	GASKET
14	PIN PLUG	71	CAJSCREW, SOC. HD.
14A	SETSCREW, SOC. HEX	72	SPRING
14B	PLUG PIPE	73	SPACER
15	PILOT VALVE	74	RING, PISTON
16	DISC	75	CYLINDER, RELAY
17	BUSHING, DISC	75A	PLUG, PIPE
19	SEAT	76	RING, LOCK
20	BUSHING, BACKSEAT	77	STOP, RELAY
21	BUSHING, LEAKOFF	78	CAPSCREW, SOC. HD.
22	YOKE	79	SCREW, METERING
23	STUD	80	RELAY
24	NUT, HEX	80A	RING, PISTON
27	FLANGE, RETAINING	81	SPRING
30	CAPSCREW, SOC. HD.	82	STOP, RELAY
31	STEM, VALVE	83	RING, LOCK
32	NAMEPLATE	84	SCREW
33	SCREW, DRIVE	85	CAPSCREW, SOC. HD.
34	GEAR, PINION	86	NUT, SPANNER
35	PIN, SPRING	87	SETSCREW, SOC. HEX.
36	WASHER, THRUST	88	BEARING, BALL THRUST
37A	BUSHING	89	KEY
37B	BUSHING	90	BUSHING, FLANGED
38	GASKET	91	GEAR, BEVEL
39	HOUSING, GEAR	92	STUD
40	HANDWHEEL	93	NUT, HEX
40A	DRIVER, HANDWHEEL	94	BUSHING
40B	WASHER, FLAT	95	STEM, PISTON
41	NAMEPLATE	96	SHIELD, DRIP
42	NUT, HEX	97	SETSCREW, SOC. HEX
43	WASHER, HANDWHEEL	98	KEY
44	INDICATOR, POSITION	99	CAPSCREW, HEX HD.
45	PLATE, POSITION INDICATOR	100	NUT, HEX
46	MACHINE SCREW, RD HD.	101	COUPLING, SPLIT
47	SHAFT, HANDWHEEL	102	SETSCREW, SOC. HEX
48	CAPSCREW, SOC. HD	103	PLATE, (TURBINE END)
50	VALVE, EXERCISER	104	SCREW, DRIVE
50A	SEALS, VALVE MTG.	106	GASKET
51	CAPSCREW, SOC. HD.	107	FLANGE, BUND
52	PLATE, EXERCISER	108	STUD
53	CAPSCREW, SOC. HD.	109	NUT, HEX
54	PLUG, PIPE	110	GASKET
55	GASKET OR SEAL KIT	111	COVER
56	PLUG, PIPE	112	STUD
57	CYLINDER	113	NUT, HEX
58	RING, PISTON	114	PLUG, PIPE

NOTE: When ordering spare parts refer to order numbers stamped on nameplate PC 32 or PC 41.

Gimpel™ Valves Parts List  
Inverted Trip Throttle Valve  
Oil Operated

**DRESSER-RAND**

DRAWING NUMBER	NP-2151	REV <b>C</b>
----------------	---------	-----------------